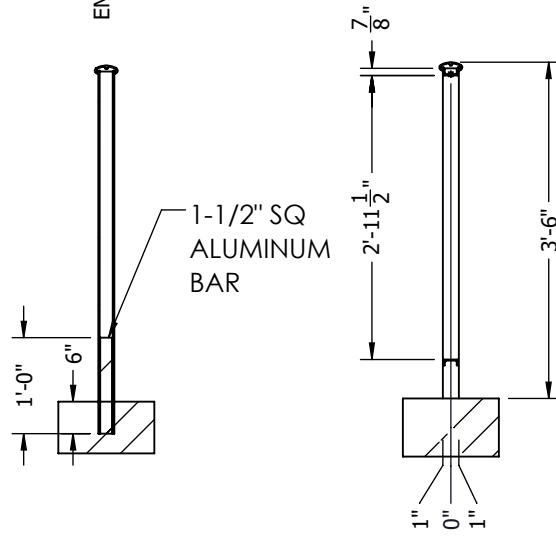


SECTION A-A



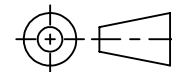
SECTION B-B



SECTION C-C

THE INFORMATION CONTAINED IN THIS DRAWING  
IS THE SOLE PROPERTY OF ASTRO METAL CRAFT  
ANY REPRODUCTION IN PART OR AS A WHOLE  
WITHOUT THE WRITTEN PERMISSION OF ASTRO  
METAL CRAFT IS PROHIBITED.  
UNLESS OTHERWISE SPECIFIED  
DIMENSIONS ARE IN INCHES

TOLERANCES:  
ANGULAR: MACH  $\pm 0^{\circ}.30'$   
WELD  $\pm 0.5^{\circ}$   
BEND:  $\pm 1^{\circ}.0$   
ASSEMBLY OA TOL:  $\pm 0.06$   
PART TOL:  $\pm 0.03$   
HOLE TOL: SEE CHART



3RD ANGLE PROJECTION

**PULSAR**

**STELLAR \* CRAFT**

TEL: 763-777-8087  
11059 LAMONT AVE NE  
HANOVER, MN 55341  
astrometalcraft.com/stellarcraft-products/